

81,5

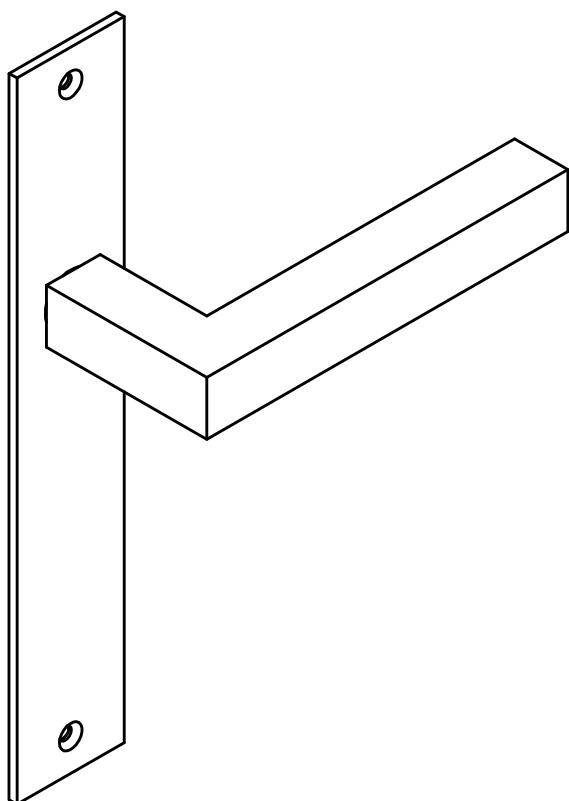
235

3
60

40



3



64

20

135

145

FORMANI®

Part number:
2501D001 LSQIP236SFC V01

Description:
LSQIP236SFC

Format:

A3

Doc no.: 2501D001 LSQIP236SFC V01.dwg

Drawn by: Christian

Creation date: 10-11-2011