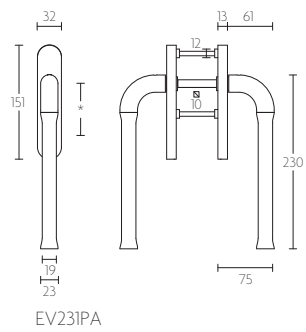


1020 AII NOUR PAGE - EV231PA



* blind of PC69
* blind of Y69