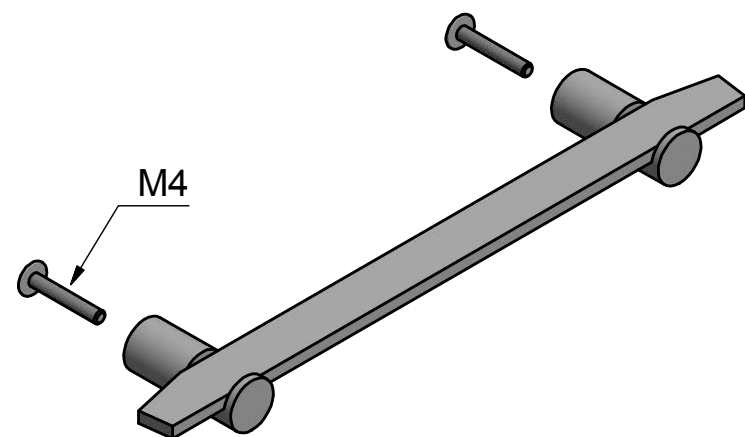
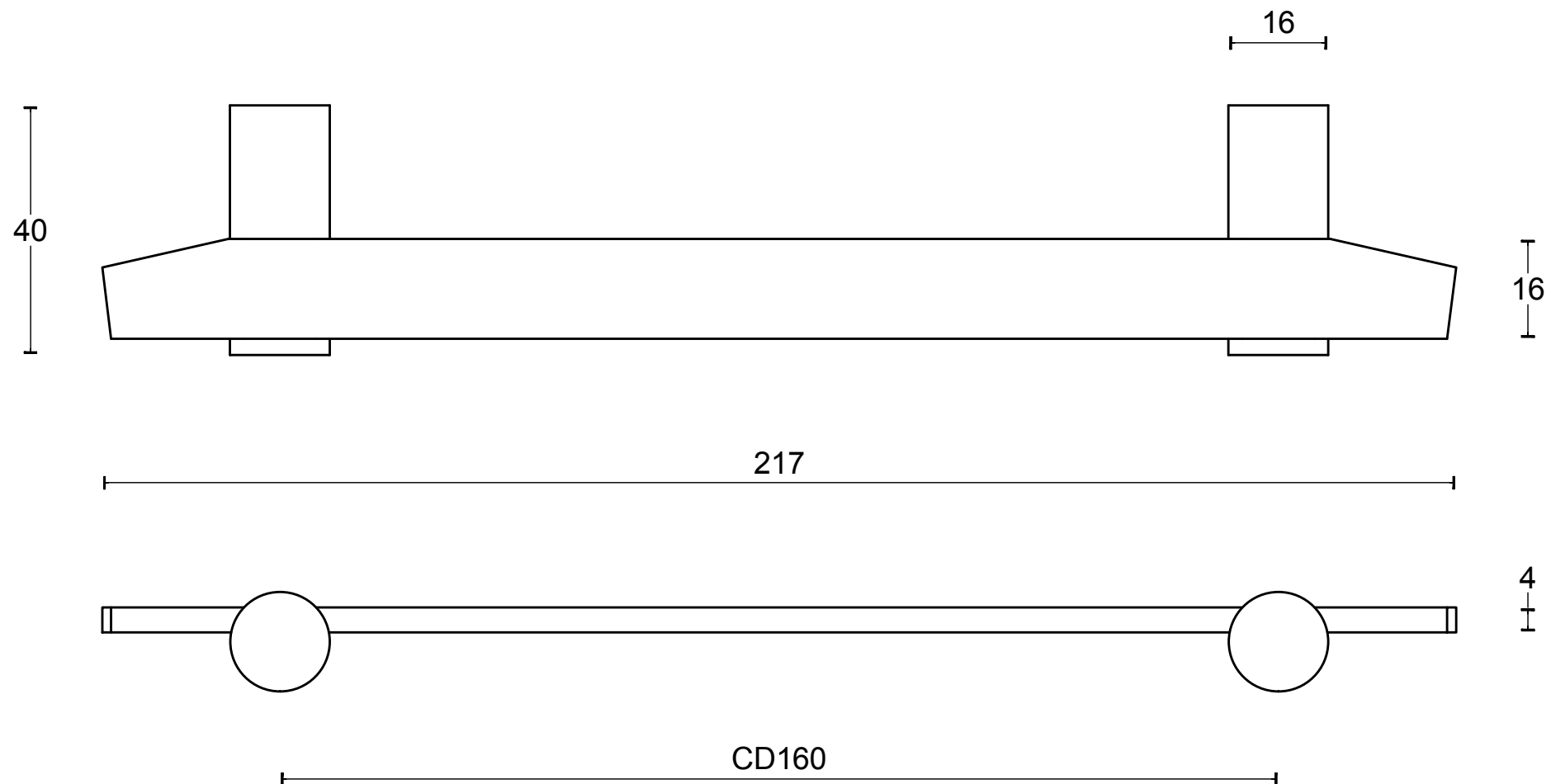


TENSE BB25/160

solid cabinet handles
stainless steel



FORMANI®		Part number:	
		Description:	
Doc no.: 3304M001 TENSE BB25 160 V01.dwg	TENSE BB25/160		Format: A3
Drawn by: Christian Brimbois	Creation date: 6-1-2016		
FORMANI HOLLAND B.V. EUROPALAAN 12 6199 AB MAASTRICHT-AIRPORT NL T +31 (0)43 308 90 00 INFO@FORMANI.COM FORMANI.COM			