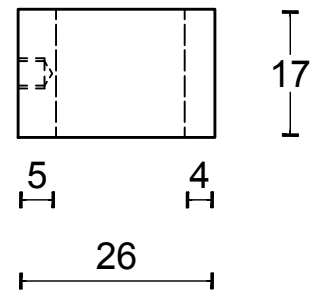
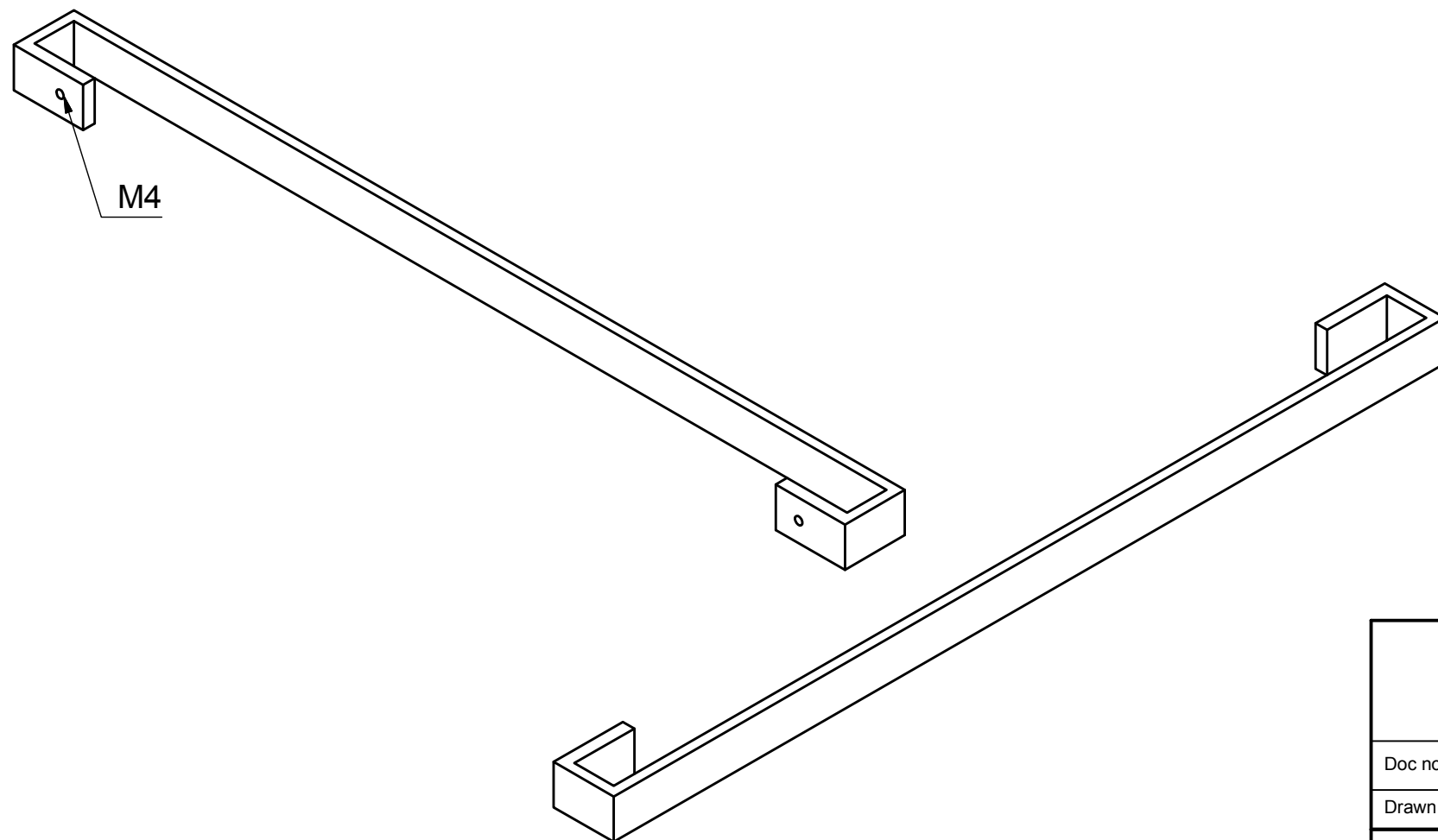
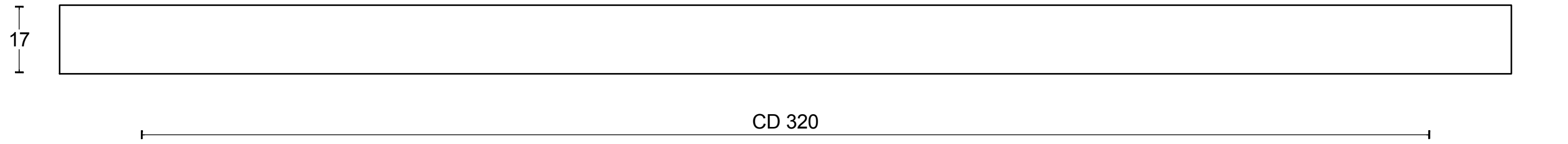
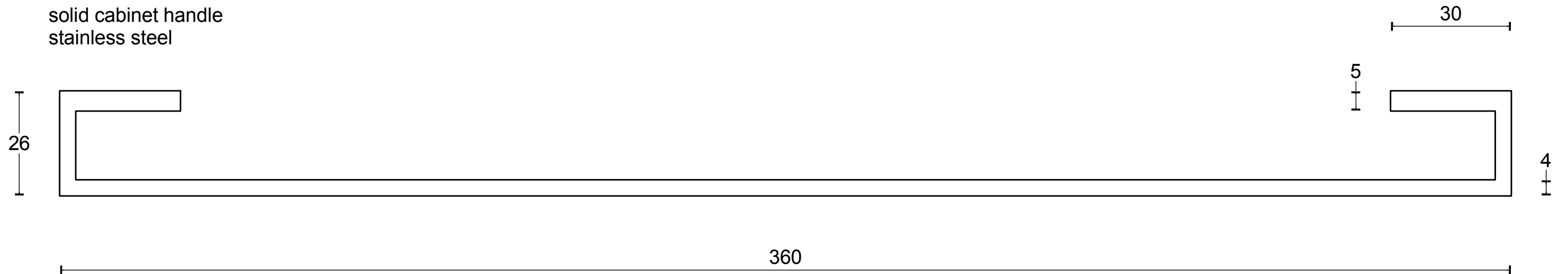


# BM20/320

solid cabinet handle  
stainless steel



|  |                           |                                       |                      |
|--|---------------------------|---------------------------------------|----------------------|
| FORMANI®   |                           | Part number:<br>3204M002 BM20 320 V01 |                      |
|  |                           | Description:<br><b>BM20/320</b>       | Format:<br><b>A3</b> |
| Doc no.:   | 3204M002 BM20 320 V01.dwg |                                       |                      |
| Drawn by:  | Christian Brimbois        | Creation date:                        | 7-10-2013            |
| Formani Holland B.V. · Amerikalaan 55 · 6199 AE Maastricht Airport · tel: +31 (0)43 308 90 00 · www.formani.nl · info@formani.nl |                           |                                       |                      |