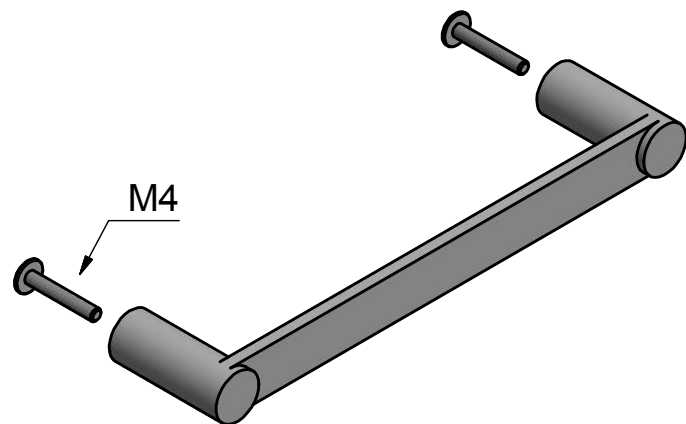
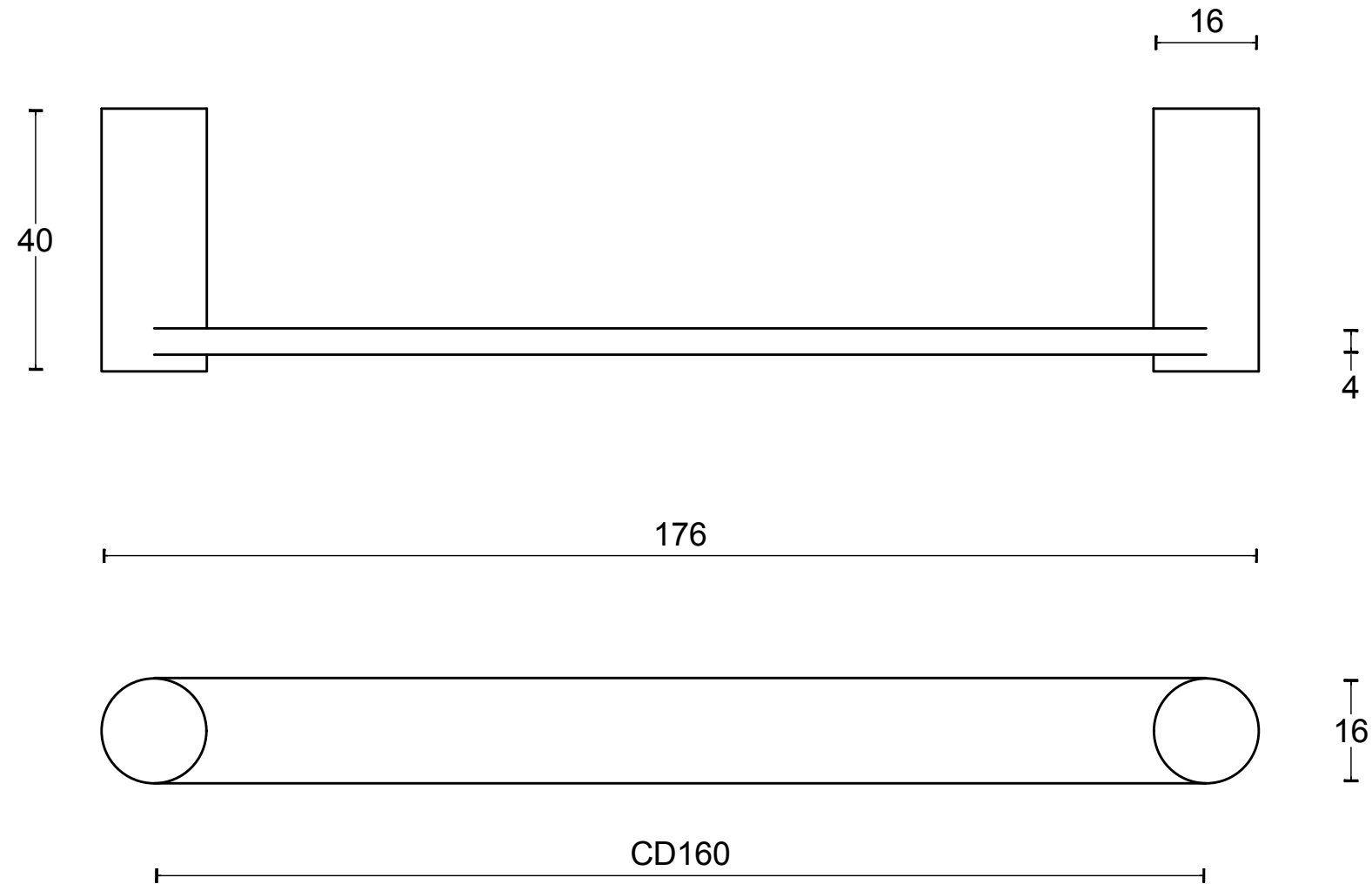


# TENSE BB26/160

solid cabinet handle  
stainless steel



|   |                         |                |         |
|---|-------------------------|----------------|---------|
| FORMANI®  |                         | Part number:   |         |
|   |                         | Description:   |         |
| Doc no.: 3304M010 TENSE BB26 160 V01.dwg  | Creation date: 6-1-2016 | TENSE BB26/160 | Format: |
| Drawn by: Christian Brimbois  |                         |                | A3      |
| FORMANI HOLLAND B.V. EUROPALAAN 12 6199 AB MAASTRICHT-AIRPORT NL T +31 (0)43 308 90 00 INFO@FORMANI.COM FORMANI.COM |                         |                |         |