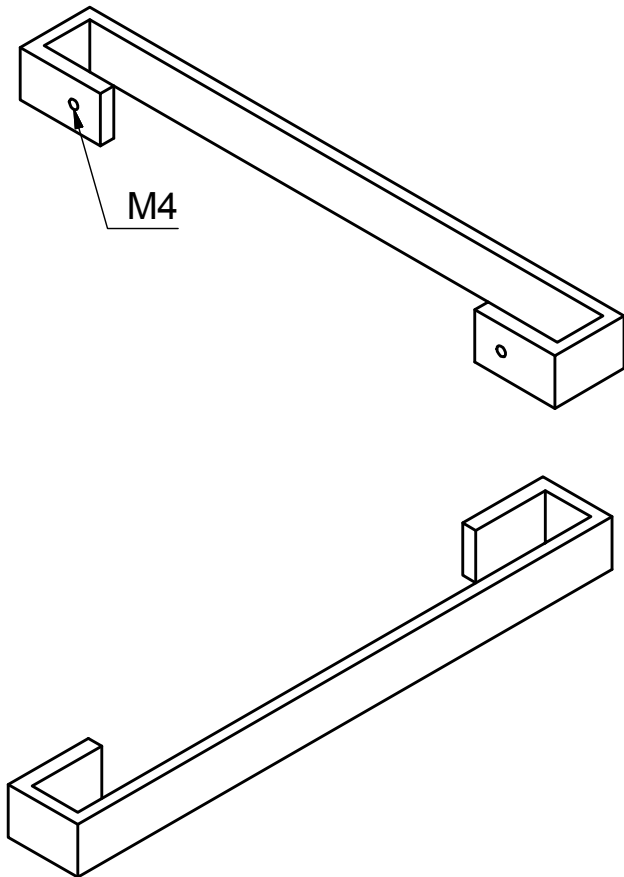
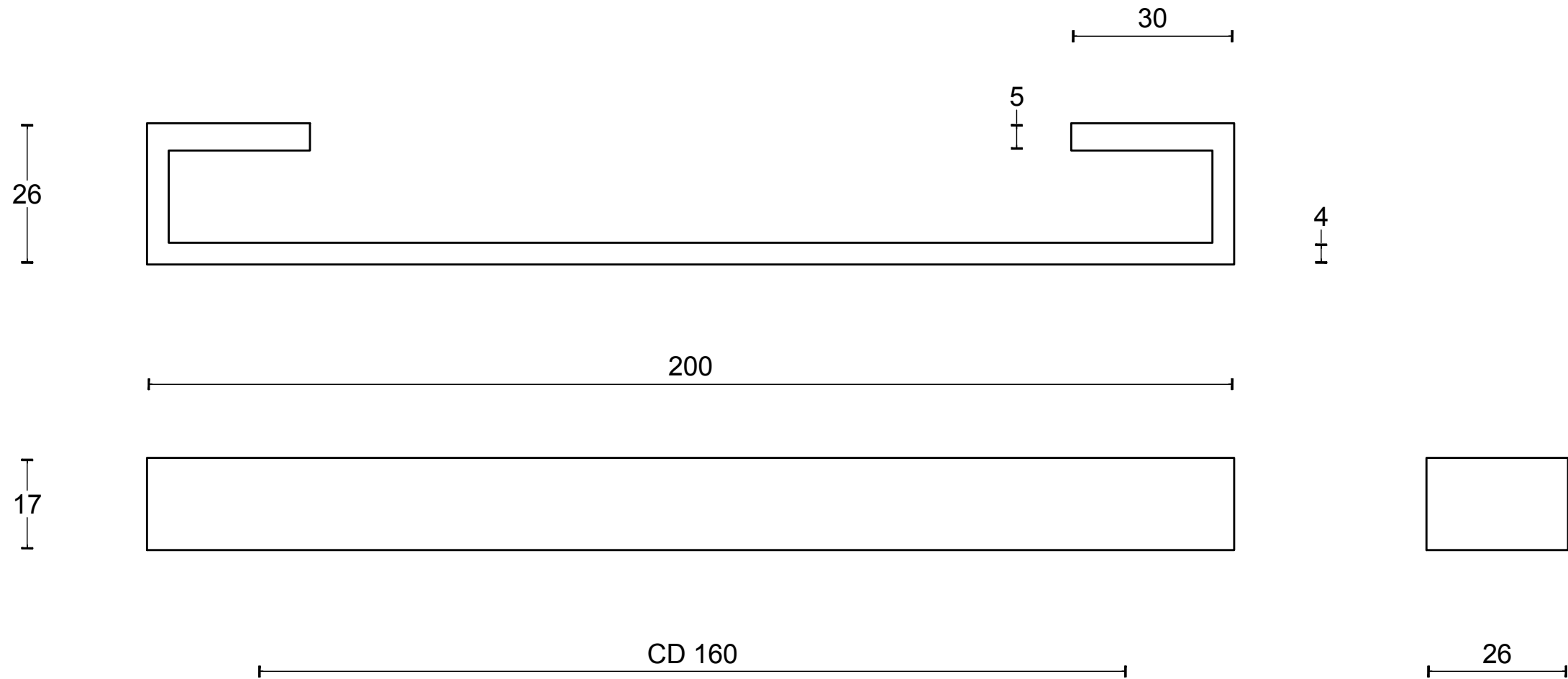


BM20/160

solid cabinet handle
stainless steel



FORMANI®		Part number: 3204M001 BM20 160 V01	
		Description: BM20/160	Format: A3
Doc no.:	3204M001 BM20 160 V01.dwg		
Drawn by:	Christian Brimbois	Creation date:	7-10-2013
Formani Holland B.V. · Amerikalaan 55 · 6199 AE Maastricht Airport · tel: +31 (0)43 308 90 00 · www.formani.nl · info@formani.nl			