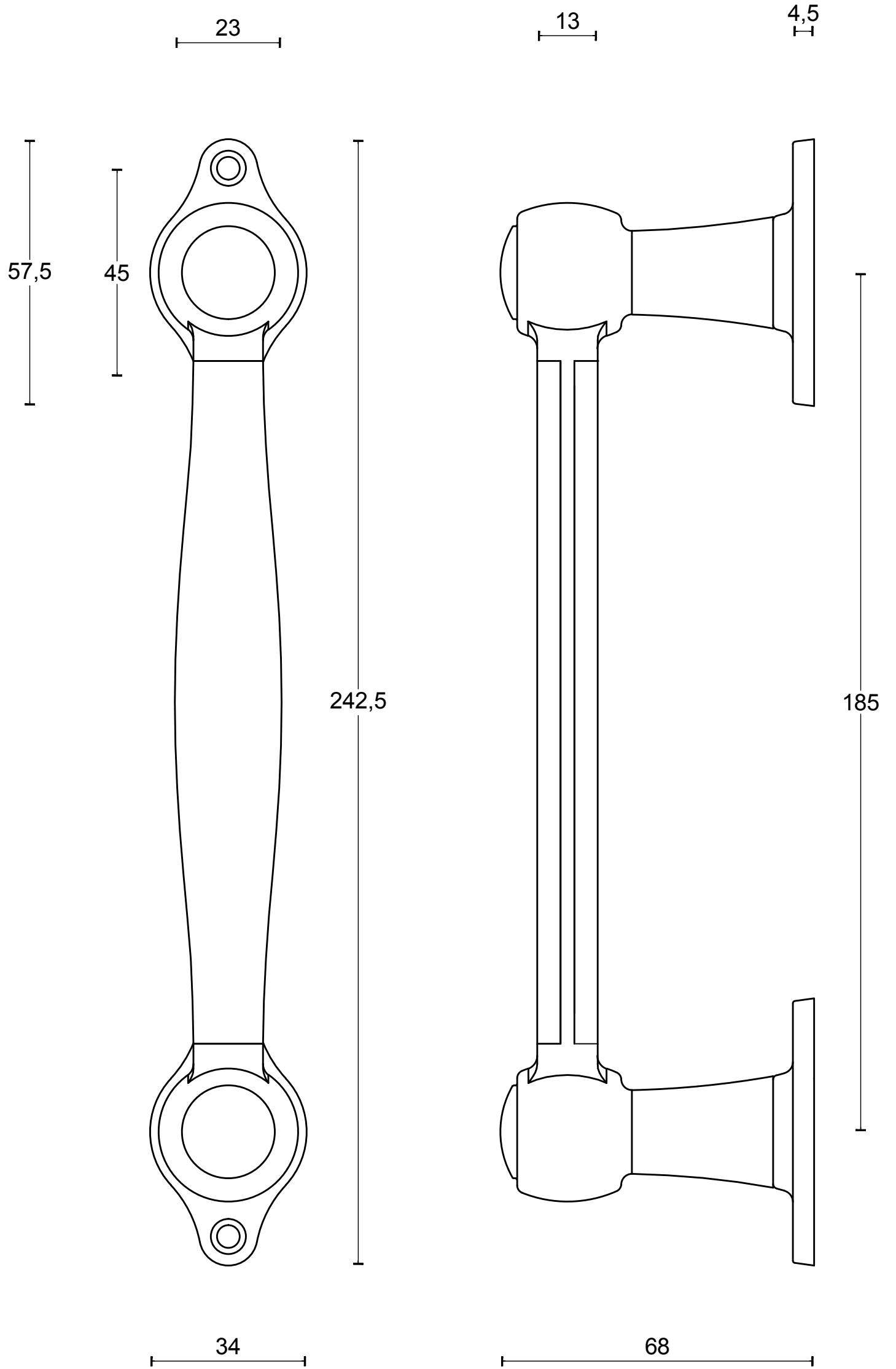
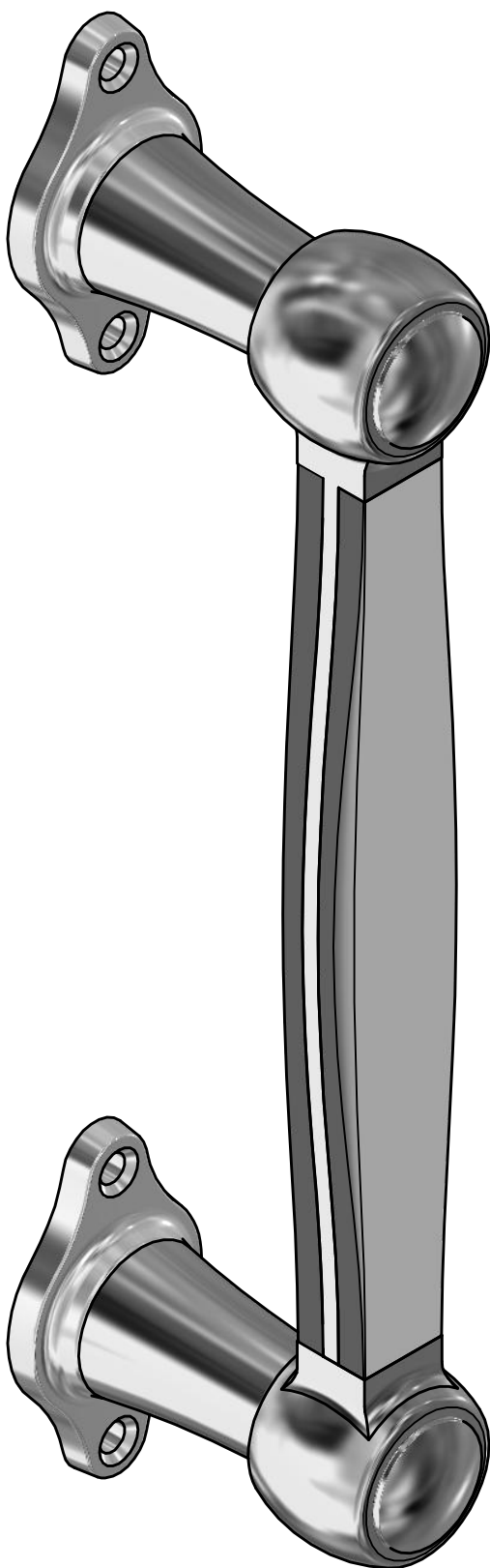


LZ185MA

solide pull handle
stainless steel or brass



<h1>FORMANI®</h1>		Part number:	
		Description:	
Doc no.:	3401G001 LZ185MA V01.dwg	<h2>LZ185MA</h2>	Format:
Drawn by:	Christian Brimbois		Creation date:
<small>FORMANI HOLLAND B.V. EUROPALAAN 12 6199 AB MAASTRICHT-AIRPORT NL T +31 (0)43 308 90 00 INFO@FORMANI.COM FORMANI.COM</small>			

A3