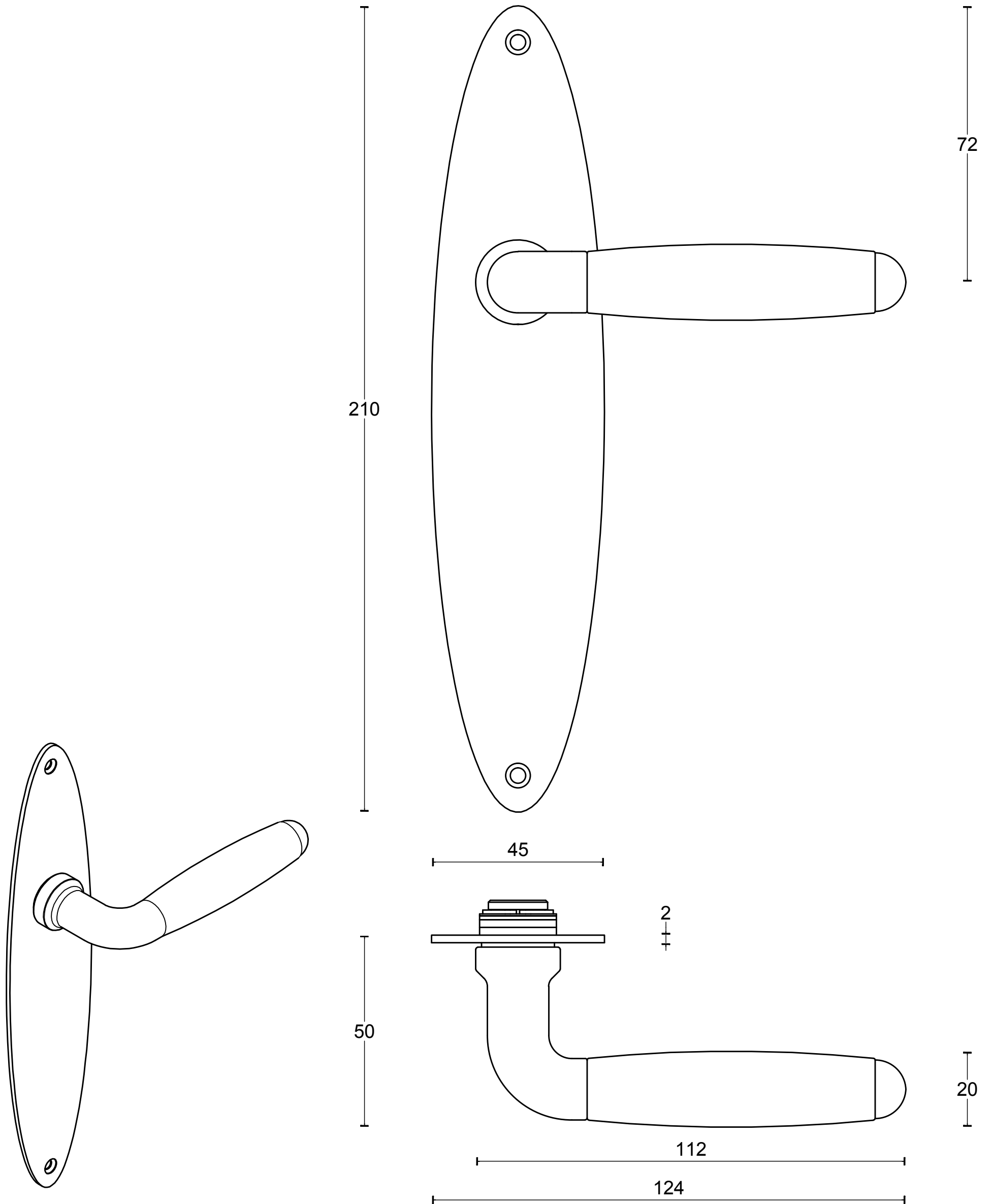


1932MPOSFC

solid unsprung lever handle
on plate



<h1>FORMANI®</h1>		Part number:	
		Description:	
Doc no.:	0301D008 1932MPOSFC V03.dwg	<h2>1932MPOSFC</h2>	Format:
Drawn by:	Christian Brimbois		Creation date:
<small>FORMANI HOLLAND B.V. EUROPALAAN 12 6199 AB MAASTRICHT-AIRPORT NL T +31 (0)43 308 90 00 INFO@FORMANI.COM FORMANI.COM</small>			